



- **Compliant with IEEE 802.3a**
- **2.5kV Isolation**
- **Power Input: 48VDC via PoE**
- **Power Output: 5VDC**
- **3.0A Output Current Rating**
- **Micro USB Power Output Connector**
- **10/100/1000Mbps Transmission**

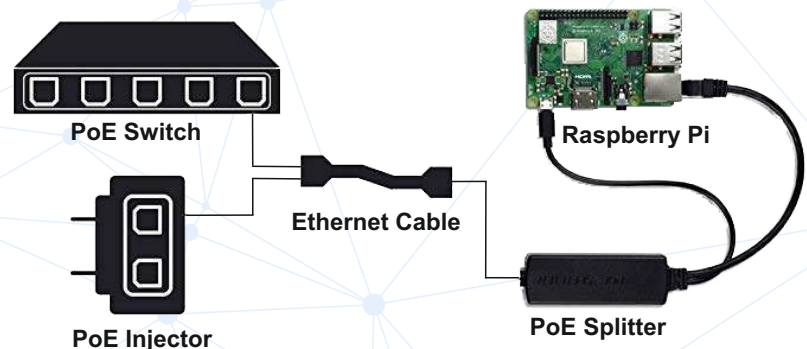
Overview:

The PDT-SPL-0503-1000-M is a Power over Ethernet (PoE) Splitter designed to meet the needs of many portable or small form factor devices. It extracts the Power from the PoE Cat5/6/7 cable and provides it to an end-device as a discrete 5VDC output, via a Micro USB connector. The remaining data portion of the signal is made available via an RJ 45 output connector.

The device supports the use of PSE equipment which meet the IEEE802.3af standard, such as PoE Switches or certified PoE Injectors. This device is perfect for small form factor computers, tablets, IoT gateways needing higher current and data rates.

Applications

- **Raspberry Pi**
- **CCTV Installations**
- **Lighting Systems**
- **Access Control**
- **Tablet/ iPad**
- **Distributed IoT Gateways**



Using a PoE Switch removes the need for PoE Injectors

Specifications And Availability Are Subject To Change Without Notice. Trademarks Are The Property Of Their Respective Owners.
Copyright © 2022 Parallax Digital Technologies Ltd. All Rights Reserved.



Parallax Digital Technologies Ltd
Unit 19 Endeavour Park, Baker Road
Nelson Park West, Cramlington
Northumberland, NE23 1XA



+44 (0)1670 202001



sales@parallaxdigital.co.uk

www.parallaxdigital.co.uk

Specifications

ETHERNET	Standards	IEEE 802.3i Ethernet IEEE 802.3u Fast Ethernet IEEE 802.3ab Gigabit Ethernet IEEE 802.3x Full-Duplex Flow Control IEEE 802.3af Power over Ethernet	ENVIRONMENTAL	Operating Temp Storage Temp Working Humidity Storage Humidity	0°C to +55°C -20°C to +75°C 10% - 90% - non-condensing 5% - 90% - non-condensing
INTERFACE	Wired Input Data Output Power Output	1 x RJ45 1 x RJ45 1 x Micro USB	MECHANICAL	Dimensions Weight	83mm x 28mm x 22mm 59g
PoE	Standard Port Power Pin Assignment PoE Budget	IEEE 802.3af RJ45 4/5 (+) 7/8 (-) 15.4W Max (3.0A)	INDICATORS	PoE Power in PoE Power Out	Green - Steady Amber - Steady
ELECTRICAL	Operating Voltage	44-57VDC via PoE	CERTIFICATION	Electrical Safety Emissions Radiated Immunity Harmonic Emissions Fluctuations and Flicker Electro-Static Discharge Electromagnetic Field Immunity Electrical Fast Transients RoHS	EN 62368-1:2020+A11:2020 EN 55032:2015+A1:2020 EN 55035:2017+A11:2020 EN 61000-3-2:2014 EN 61000-3-3:2013 EN 61000-4-2:2009 EN 61000-4-3:2010 EN 61000-4-4:2012 IEC 63000:2018

Ordering Information

Model	Description	Part No
PDT-SPL-0503-1000-M	10/100/1000V 3A PoE Splitter Micro USB	0014-00002

Specifications And Availability Are Subject To Change Without Notice. Trademarks Are The Property Of Their Respective Owners.
Copyright © 2022 Parallax Digital Technologies Ltd. All Rights Reserved.



Parallax Digital Technologies Ltd
Unit 19 Endeavour Park, Baker Road
Nelson Park West, Cramlington
Northumberland, NE23 1XA



+44 (0)1670 202001



sales@parallaxdigital.co.uk

www.parallaxdigital.co.uk