

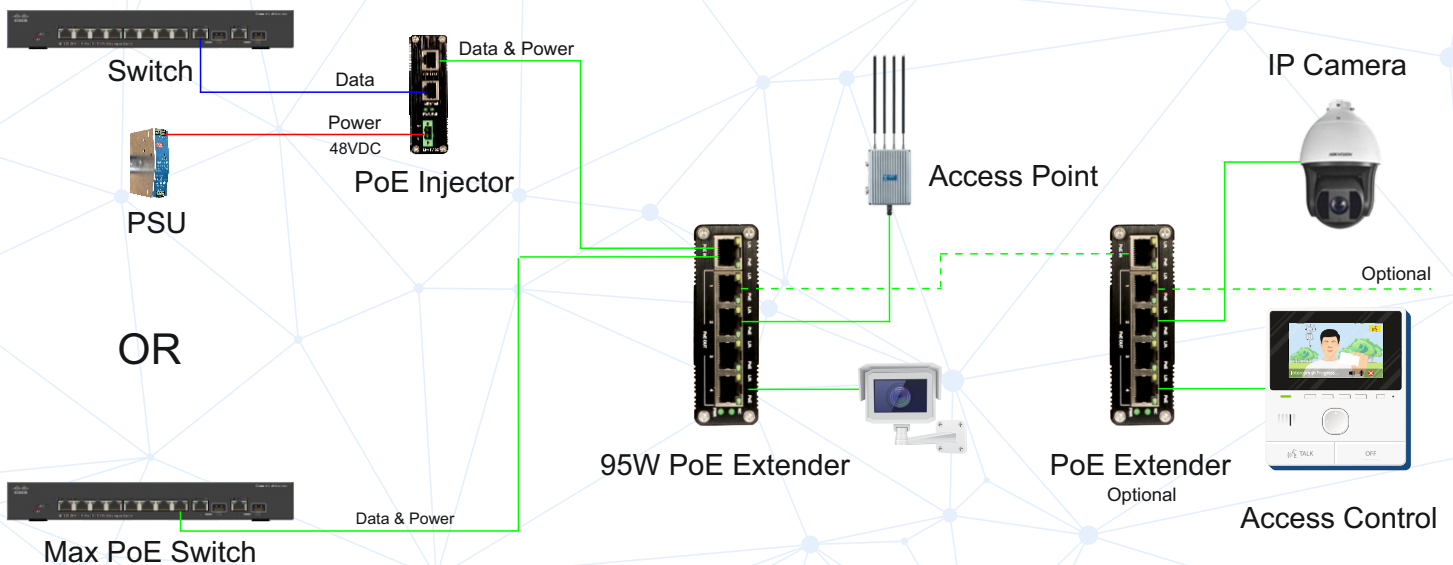


- 5 x 10/100/1000 RJ45 Ethernet Ports
- 4 x RJ45 PoE+ Ports - IEEE 802.3af/at
- Powered by IEEE 802.3at or High Power 95W PSE via RJ45 Port
- Extends an additional PoE+ Network up to 100m per Device
- Can support Daisy Chain Configuration for PoE+ up to 400m
- IP40 Aluminium Enclosure
- DIN Rail and Wall Mount Installation Methods Supported
- -40°C to +80°C Operating Temperature Range

Overview:

The PDT-PEX-7004-PP-I is a hardened 4 Channel Gigabit Ethernet PoE Extender which facilitates connectivity for IEEE 802.3 af/at devices, such as cameras, access points, and other PoE devices, up to a range of 100m from the device, and in locations where there is no power source available. The device is powered from a remote power source with PoE+/+ capability (IEEE 802.3at/bt), and this can be extended, in a daisy chain configuration, up to 400m. The device has 4 access ports which are IEEE802.3af/at compatible (max total PoE load 75W) and has one 10/100/1000 RJ45 Port which receives the data and power feed from the host device from a PoE power source up to 95W. It is housed in a ruggedized aluminium casing, and has wide operating temperature range, making it suitable for the harshest of networking environments.

Applications



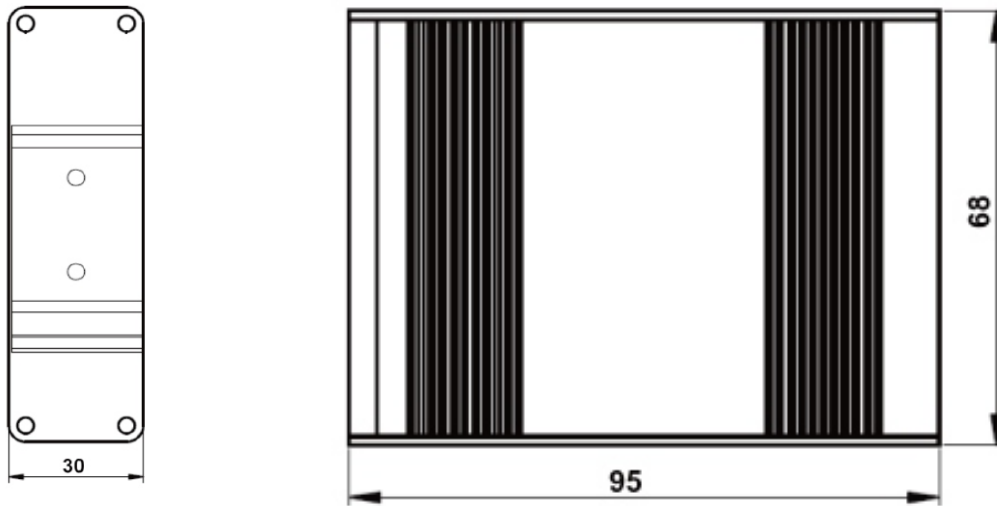
Specifications And Availability Are Subject To Change Without Notice. Trademarks Are The Property Of Their Respective Owners.
Copyright © 2024 Parallax Digital Technologies Ltd. All Rights Reserved.



Specifications

ETHERNET	Standards	IEEE 802.3 Ethernet IEEE 802.3u Fast Ethernet IEEE 802.3ab Gigabit Ethernet IEEE 802.3af Power over Ethernet IEEE 802.3at Power over Ethernet Plus IEEE 802.3bt - Power over Ethernet ++ 14,880pps (10Mbps) 148,800pps (100Mbps) 1,488,000pps (1000Mbps)	ELECTRICAL	Operating Voltage	+48~57VDC via PoE (IEEE 802.3bt)
	Forwarding and Filtering Rate	14,880pps (10Mbps) 148,800pps (100Mbps) 1,488,000pps (1000Mbps)		Power Consumption	5W (30W with Max PoE)
	Packet Buffer	1Mbits		Reverse Polarity	Protected
	Packet Length	10KB	MECHANICAL	Dimensions	95mm x 68mm x 29mm
	MAC Address Table	8K		Weight	0.25kg
	Switch Fabric	10Gbps/ non-blocking	Casing	Aluminium	
	Exchange Property	Backplane Bandwidth: 20Gbps Packet Forwarding Rate: 14.88Mbps	Mounting	DIN Rail & Wall Mount	
	Jumbo Frame	10K	INDICATORS	PWR	Power Status
				L/A	Link Activity
			PoE	PoE Status	
			NC	No Function	
INTERFACE	Power & Data	1 x RJ45 Power & Data Input 4 x RJ45 Power & Data Output	CERTIFICATION	Electrical Safety	EN 62368-1:2020+A11:2020
	Transmission Distance	100m		Emissions	EN 55032:2015+A1:2020
	Cascade Limit	3 Devices	Radiated Immunity	EN 55035:2017+A11:2020	
PoE	Standard	IEEE 802.3af / 802.3at	Harmonic Emissions	EN 61000-3-2:2014	
	Port	RJ45	Fluctuations and Flicker	EN 61000-3-3:2013	
	Power Supply Type	Mid-Span & End-Span	Electro-Static Discharge	6KV 1a Constant Discharge L3	
	Pin Assignment	1/2 (+), 3/6(-), 4/5 (+), 7/8 (-)	Electromagnetic Field Immunity	8KV Air Discharge L3	
	Power Budget	Up to 75W total <100m - 65W 100~200m Max 75W on one Channel		Electrical Fast Transients	EN 61000-4-2:2009
ENVIRONMENTAL	Operating Temp	-40°C to +80°C	Surge Immunity	EN 61000-4-4:2012	
	Storage Temp	-40°C to +85°C	Conducted Immunity	EN 61000-4-5:2014+A1:2017	
	Relative Humidity	5% - 95% - non-condensing	Power Frequency Magnetic Field	EN 61000-4-6:2014	
	MTBF	>200,000 hours		EN 61000-4-8:2010	
			RoHS	IEC 63000:2018	

Dimensions



All Dimensions in mm

Ordering Information

Model	Description	Part No
PDT-PEX-7004-PP-I	1 Port 10/100/1000 95W PoE to 4 Port 10/100/1000 PoE+ Industrial PoE Extender	0016-00002

Specifications And Availability Are Subject To Change Without Notice. Trademarks Are The Property Of Their Respective Owners.
Copyright © 2024 Parallax Digital Technologies Ltd. All Rights Reserved.



Parallax Digital Technologies Ltd
Unit 19 Endeavour Park, Baker Road
Nelson Park West, Cramlington
Northumberland, NE23 1XA



+44 (0)1670 202001



sales@parallaxdigital.co.uk

www.parallaxdigital.co.uk